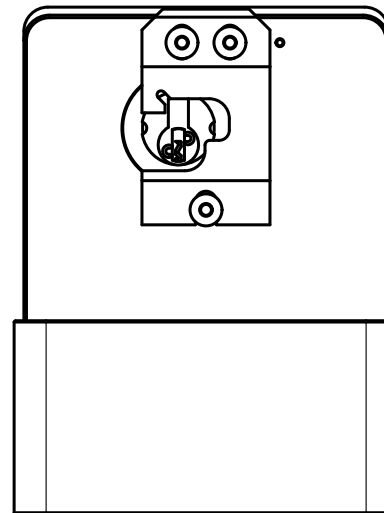
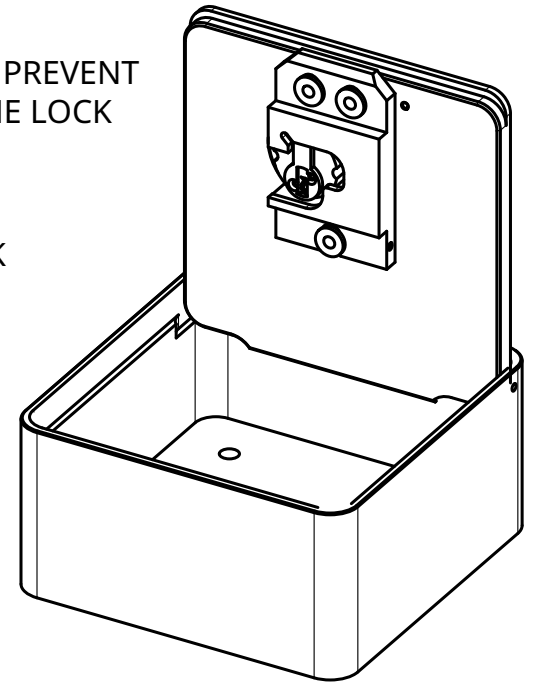
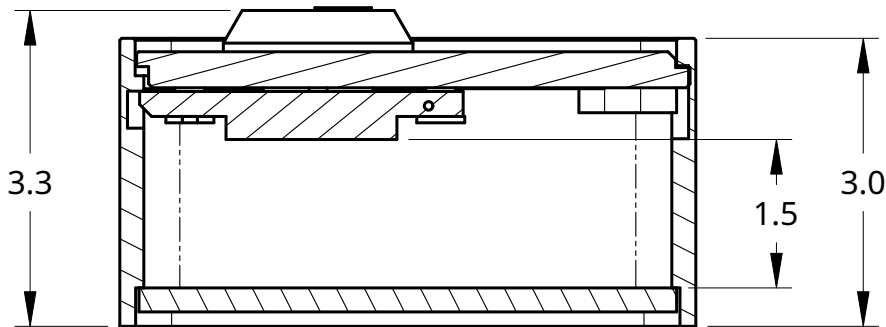


MORTISE COLLAR TO PREVENT TAMPERING WITH THE LOCK CYLINDER

USE 1.125" MORTISE LOCK CYLINDER WITH #2 TAIL-PIECE



SCALE 1:3



SECTION A - A

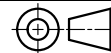
UNLESS OTHERWISE SPECIFIED,  
DIMENSIONS ARE IN INCHES  
.XX = ±.0-  
.XXX = ±.00-  
.XXXX = ±.000-  
ANGULAR = ± °  
FRACTIONAL = ±

SURFACE FINISH

DO NOT SCALE DRAWING

BREAK ALL SHARP EDGES AND REMOVE BURRS

THIRD ANGLE PROJECTION



	NAME	DATE
DRAWN	PROSAC ORC	05/28/2021
CHECKED		
APPROVED		
MATERIAL	FINISH POWDER COAT	

SELECTIVE SECURITY SERVICES			
TITLE			
L6000 LOCK BOX FOR MORTISE LOCK			
SIZE	DWG NO.	REV.	
A	L6000MH		
SCALE 1:2	WEIGHT 10 LBS.	SHEET 1 of 1	